

Ullman Sails Long Beach Race Week

June 21 - 23, 2019

Alamitos Bay Yacht Club & Long Beach Yacht Club

Long Beach, California, USA

<http://www.lbrw.org>



SAILING INSTRUCTIONS

The Organizing Authorities for Long Beach Race Week will be the Alamitos Bay Yacht Club (ABYC), 7201 East Ocean Blvd, Long Beach, CA. 90803 and the Long Beach Yacht Club (LBYC), 6201 Appian Way, Long Beach, CA. 90803.

The notation '[DP]' in a rule in the SI means that the penalty for a breach of that rule may, at the discretion of the protest committee, be less than disqualification.

1. RULES

- 1.1. The Regatta will be governed by the rules as defined in *The Racing Rules of Sailing*.
- 1.2. The US Sailing Prescriptions to rules 63.2 and 63.4 do not apply.
- 1.3. PHRF classes must carry the safety equipment required by the U.S. Safety Equipment Requirements for U.S. Nearshore Races (Definition 1.0.3). Refer to: <http://www.ussailing.org/safety/equipment-and-requirements/>.
- 1.4. For PHRF classes, the Marine Industry Racer (MIR) rule of PHRF of Southern California will not apply to this regatta.
- 1.5. The Catalina 37 Fleet will be subject to on-the-water umpiring according to Racing Rule Addendum Q, which is a part of these sailing instructions.
- 1.6. RRS 51 and RRS 52 are modified to allow a boat issued a current handicap that assumes her use of moving ballast or taking on or discharging water ballast is permitted to use that system. [DP]
- 1.7. RRS 52 is modified to allow the use of winches operated by using stored power. [DP]
- 1.8. RRS 55 is changed to allow the disposal of biodegradable material used to band spinnakers in the water. [DP]
- 1.9. Addendum Q is modified as follows:
 - 1.9.1. Rule Q1.2 (e) is deleted.
 - 1.9.2. For boats in the Catalina 37 fleet, the OA will provide a code flag Y for each boat. A Catalina 37 boat may use this flag instead of a red flag to protest another boat as described in Q2.1.

2. NOTICES TO COMPETITORS

Notices to competitors will be posted on the Official Notice Board located at LBYC on the glass sliding doors and windows of the Regatta Room which is located on the East face of the club, bottom floor overlooking the channel.

3. CHANGES TO SAILING INSTRUCTIONS

Any change to the sailing instructions will be posted before 1000 on the day it will take effect, except that any change to the schedule of races will be posted by 2000 on the day before it will take effect.

4. SIGNALS MADE ASHORE

- 4.1. Signals made ashore will be displayed on the LBYC flag pole. When a signal is displayed over the appropriate Racing Area letter flag it applies to that Racing Area only.
- 4.2. When flag AP is displayed ashore, '1 minute' is replaced with 'not less than 60 minutes' in race signal AP. Boats are requested not to leave the harbor until this signal is lowered.
- 4.3. The Race Committee will broadcast its intent to the Racing Areas on the VHF Channels designated in SI 24.1 thirty minutes before the scheduled warning.

5. SCHEDULE

- 5.1. Registration at LBYC:

<i>Thursday June 20, 2019</i>	<i>From 1200 to 1800</i>
<i>Friday June 21, 2019</i>	<i>From 0800 to 1000</i>
- 5.2. Measurement, Inspection and Crew Weigh-In at LBYC:

<i>Thursday June 20, 2019</i>	<i>From 1200 to 1800</i>
<i>Friday June 21, 2019</i>	<i>From 0800 to 1000</i>

Ullman Sails Long Beach Race Week

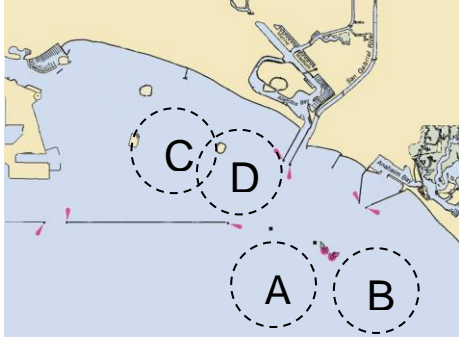
- 5.3. Competitors' Briefing at LBYC:
Friday June 21, 2019 From 1030 to 1100
- 5.4. Dates of Racing:
Friday June 21, 2019 1st Warning 1255
Saturday June 22, 2019 1st Warning 1155
Sunday June 23, 2019 1st Warning 1155

6. CLASS FLAGS

Class flag descriptions will be posted by 0900 on the day they will take effect.

7. RACING AREAS

- 7.1. Racing Areas A, B, C and D are shown below.



- 7.2. Assignments of classes to Racing Areas will be posted by 0900 on the day they will take effect.

8. THE COURSES

- 8.1. For **One-Design**, and **PHRF**, the diagrams in "Attachment A – Buoy Racing Courses" show the courses, including the course signals, approximate angles between legs, the order in which marks are to be passed, and the side on which each mark is to be left. The course lengths will be adjusted to provide appropriate amounts of racing.
- 8.2. For the **Random Leg Fleet**, the diagrams in Attachment B – Random Leg Courses" show the courses, including the course signals, the order in which marks are to be passed, and the side on which each mark is to be left.
- 8.3. The course designation will be displayed on a placard from the Race Committee Signal Boat.
- 8.4. No later than the warning signal, the Race Committee Signal Boat will display the approximate compass bearing and distance to the first mark.

9. MARKS

- 9.1. Marks 1 and 2, will be yellow inflatable shapes.
- 9.2. Marks 3S and 3P will be yellow inflatable shapes.
- 9.3. New marks, as provided in instruction 12, will be orange inflatable shapes.

- 9.4. The starting and finishing marks will be staffs displaying orange flags mounted on inflatable marks, or on race committee boats.
- 9.5. For the **Random Leg Fleet**, if a mark is missing and the Race Committee is unable to replace the mark in accordance with RRS 34, boats shall round the location of the mark as published in Attachment B of these sailing instructions. This modifies RRS 34.


10. AREAS THAT ARE OBSTRUCTIONS

The following areas are designated as obstructions: All moored vessels and moorings adjacent to Island White (Mark 7).


Boats sailing into the obstruction area shall be subject to protest and penalties up to disqualification. [DP]

11. THE START

- 11.1. To alert boats that a sequence of starts will begin soon, the orange starting line flag will be displayed with one sound at least four minutes before a warning signal is displayed.
- 11.2. The race committee may change the first leg of the course by laying a new mark and signaling all boats by displaying flag C with repetitive sound signals at or shortly following the warning signal. The original mark will be removed as soon as practicable. When in a subsequent change a new mark is replaced, it will be replaced by an original mark.
- 11.3. The starting line will be between staffs displaying orange flags. One end shall and both ends may be on race committee boats.
- 11.4. Boats whose warning signal has not been made shall keep clear of the starting area.
- 11.5. A boat that does not start within 10 minutes, after her starting signal will be scored Did Not Start without a hearing. This changes RRS A4 and A5.
- 11.6. As a courtesy, the Race Committee will notify recalled boats by hailing her sail number over the designated VHF channel. (see SI 24.1) Failure of a boat to see or hear her recall notification shall not be grounds for redress. This changes RRS 62.1(a).
- 11.7. For the **Catalina 37 class only** competitors may be required to reduce sail. The combination to be used will be signaled from the Race Committee boat with or before the warning signal. The signals will be as follows:

Signal	Headsail	Spinnaker
 Flag J	Jib	Spinnaker

Ullman Sails Long Beach Race Week

Signal	Headsail	Spinnaker
 Flag K	Jib	No Spinnaker

12. CHANGE OF THE NEXT LEG OF THE COURSE

To change the next leg of the course, the race committee will lay a new mark (or move the finishing line) and remove the original mark as soon as practicable. When in a subsequent change a new mark is replaced, it will be replaced by an original mark.

13. THE FINISH

- 13.1. The finishing line will be between staffs displaying orange flags. One end shall and both ends may be located on a race committee boat.
- 13.2. In the interest of starting another race in a timely fashion, the Race Committee may assign a finish position to the last finisher(s) in a class provided that the position(s) can be determined in a reasonable manner.

14. PENALTY SYSTEM

- 14.1. Appendix V1 will apply, except for the PAC52 class.

V1 PENALTIES AT THE TIME OF THE INCIDENT

The first two sentences of RRS 44.1 are changed to: 'A boat may take a One-Turn Penalty when she may have broken one or more rules of Part 2 or RRS 31 in an incident while *racing*. However, when she may have broken one or more rules of Part 2 while in the zone around a *mark* other than a starting *mark*, her penalty shall be a Two-Turns Penalty.'

- 14.2. When Addendum Q applies, Appendix V does not.
- 14.3. For the Pac52 class, rule 44.1 is changed to replace "Two-Turns" with One-Turn.

15. TIME LIMITS AND TARGET TIMES

- 15.1. The target time for **One-Design**, and **PHRF** races will be approximately 60 minutes. The target time for **Random Leg Fleet** races will be approximately 180 minutes.
- 15.2. **One-Design** boats failing to finish within 30 minutes after the first boat sails the course and finishes will be scored Did Not Finish without a hearing. This changes RRS 35 A4 and A5.

16. PROTESTS AND REQUESTS FOR REDRESS

- 16.1. Protest forms are available at Race Headquarters located at LBYC. Protests shall be

delivered to Race Headquarters within the protest time limit.

- 16.2. Protest Filing Time will close sixty (60) minutes after the Race Committee Signal Boat for that Racing Area docks.
- 16.3. Notices will be posted no later than 30 minutes after the protest time limit to inform competitors of hearings in which they are parties or named as witnesses. This will constitute notice to all parties under RRS 63.2. Hearings will normally be heard in the order in which protests and requests for redress are received. See also SI 17 Arbitration.
- 16.4. The Race Committee will post a list of On-Course Side (OCS) boats and will endeavor to post the preliminary results before the protest time limit.
- 16.5. Breaches of instructions 21, 22, 23 will not be grounds for a protest by a boat. This changes RRS 60.1(a). Penalties for these breaches may be less than disqualification if the Protest Committee so decides.

17. ARBITRATION

- 17.1. Appendix T, Arbitration, will apply. Unless Addendum Q applies, the Post Race Penalty in Appendix T1 applies.

18. SCORING

- 18.1. **One-Design, and PHRF Fleets:** Seven (7) races are scheduled of which three (3) must be completed to constitute a series for the One-Design, and PHRF fleets.
- 18.2. **Random Leg Fleets:** Three (3) races are scheduled of which one (1) must be completed to constitute a series.
- 18.3. The regatta will be scored as provided in the RRS except that all a boat's race scores will count (i.e. no scores will be excluded).
- 18.4. PHRF Classes will be scored using the base handicaps provided by the PHRF Southern California. All **PHRF** fleets will be scored using time-on-time scoring. For each boat, the "Time Correction Factor" (TCF) used will be calculated based on the following formula: $TCF = 650 / (625 + PHRF)$ where "PHRF" is a boat's base SoCal PHRF handicap.

19. SAFETY REGULATIONS

- 19.1. A boat that retires from a race notify the race committee as soon as possible. [DP]

20. REPLACEMENT OF CREW OR EQUIPMENT

- 20.1. Entrants in classes that have an established crew weight limit and require weigh-ins must

Ullman Sails Long Beach Race Week

have their crews weighed-in by 1000 Friday, June 21, 2019.

- 20.2. In classes that require crew weigh-ins, entrants desiring to substitute crew must have substitute crew members weighed-in prior to 0900 on race day (Saturday and Sunday) at Race Headquarters located at LBYC. A crew substitution card, with the name of the substitute (who meets all requirements) and crew member replaced, must be submitted when being weighed-in and signed by a designated Race Committee official. Crew substitution cards are available at Race Headquarters.

21. EVENT ADVERTISING [DP]

- 21.1. For boats of the Catalina 37 class, advertising may not be added to or removed from any equipment supplied with the boat from Long Beach Yacht Club Sailing Foundation.

22. SUPPORT BOATS [DP]

- 22.1. Team leader, coaches, and other support boats shall stay outside areas where boats are from the preparatory signal for the first class to start until all boats have finished or the race committee signals a postponement, general recall or abandonment. [DP]
- 22.2. Support boats should monitor race area VHF channel. See NoR 24. [DP]

23. HAUL-OUT RESTRICTIONS [DP]

Boats shall not be hauled out during the regatta except with and according to the terms of prior written permission of the Competition Chair.

24. RADIO COMMUNICATION

- 24.1. The Race Committee will use the following VHF Channels for communication:
Channel 68 – Alpha Course Summer Hawk

Channel 69 – Bravo Course Patience
Channel 72 – Charlie Course Loynes

- 24.2. The Race Committee will use the VHF radios to make competitors aware of its intentions, the course to be sailed, starting times, course changes, On Course Side (OCS), postponements, and other information regarding the racing. Failure of the Race Committee to make a broadcast, the timing of a broadcast, or the failure of a boat to hear a broadcast shall not be grounds for redress under RRS 62.1(a).
- 24.3. A boat shall neither make radio or mobile phone transmissions while racing nor receive communications not available to all boats.

25. PRIZES

The trophies listed in the Notice of Race will be presented.

26. DISCLAIMER OF LIABILITY

Competitors participate in this regatta entirely at their own risk. See RRS 4, Decision to Race. The regatta organizers (Organizing Authorities, race committee, protest committee, umpires, host clubs, sponsors, or any other organization or official) will not accept liability for material damage or personal injury or death sustained in conjunction with or prior to, during or after this regatta.

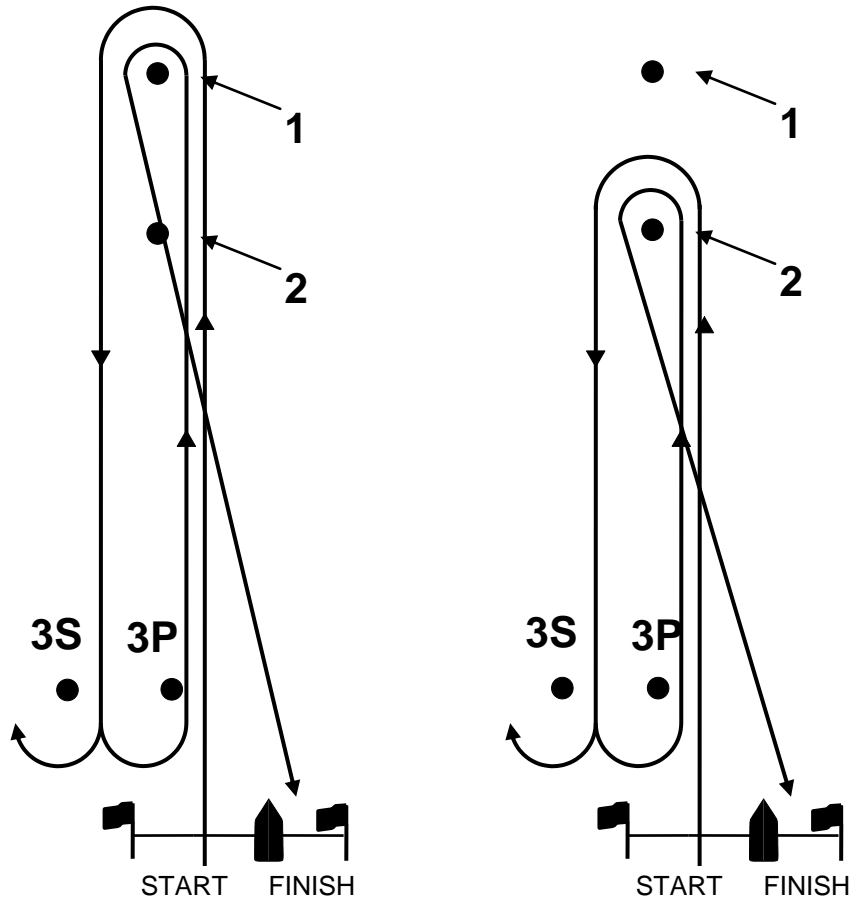
27. AMENDMENTS TO THESE INSTRUCTIONS

The Race Committee reserve the right to amend these instructions. Any amendments of these instructions made prior to June 16, 2019 will be posted on the Long Beach Race Week web site <http://www.lbrw.org>. Amendments made after June 16, 2019 will be posted on the Official Notice Board and copies will be available at Race Headquarters.

Ullman Sails Long Beach Race Week

ATTACHMENT A – BUOY RACING COURSES

Windward-Leeward Course (Short and Long leg course examples)



Course #		Mark Rounding Order (marks 1 & 2 rounded to port, mark 3 is a gate)
1	(2 legs)	Start – 1 – Finish
2	(4 legs)	Start – 1 – 3 – 1 – Finish
3	(6 legs)	Start – 1 – 3 – 1 – 3 – 1 – Finish
4	(4 legs)	Start – 1 – 3 – 2 – Finish
5	(2 legs)	Start – 2 – Finish
6	(4 legs)	Start – 2 – 3 – 2 – Finish
7	(6 legs)	Start – 2 – 3 – 2 – 3 – 2 – Finish